

Nuclear Magnetic Resonance

Adele Mucci, Francesca Parenti

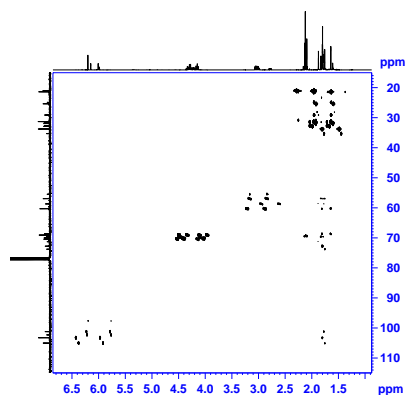


Figure 1

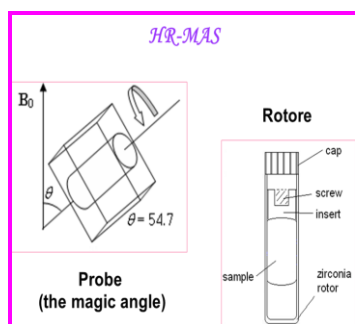


Figure 2

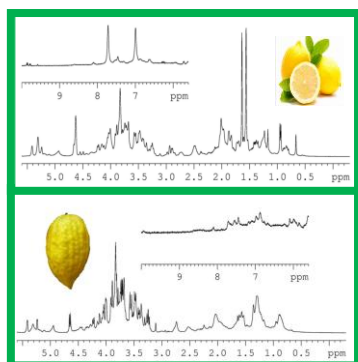


Figure 3

RESEARCH TOPICS

High resolution 1D and 2D NMR homo- and heteronuclear techniques applied to the structural studies of organic molecules pure or in mixtures (Figure 1), organometallic complexes, supramolecular systems, natural and synthetic polymers, lipid nanoparticles and liposomes loaded with drugs.

Ex vivo HR-MAS NMR (Figure 2) applied to animal, human and vegetable (Figure 3) tissues analysis.

In vitro high-resolution NMR characterization on aqueous or lipid extracts of tissue samples.

Facilities:

Access to campus facilities placed at [Centro Interdipartimentale Grandi Strumenti](#).

Collaborations:

Prof. Luisa Schenetti, Dipartimento di Scienze della Vita, Unimore
Dr. Valeria Righi and Dr. Vitaliano Tugnoli, Università di Bologna
Prof. Sebastian Cerdan, Instituto de Investigaciones Biomedicas "A. Sols", Madrid

Dr. Antonella Valentini, Nuovo Ospedale Estense-S. Agostino, Baggiovara, Modena

CONTACTS

Prof. Adele Mucci

adele.mucci@unimore.it

Tel. +39 059 205 5077

[Sito web del gruppo](#)